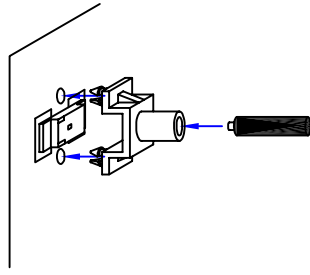


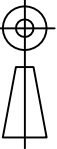
LIGHT PIPE

PREPARATION/INSTALLATION:



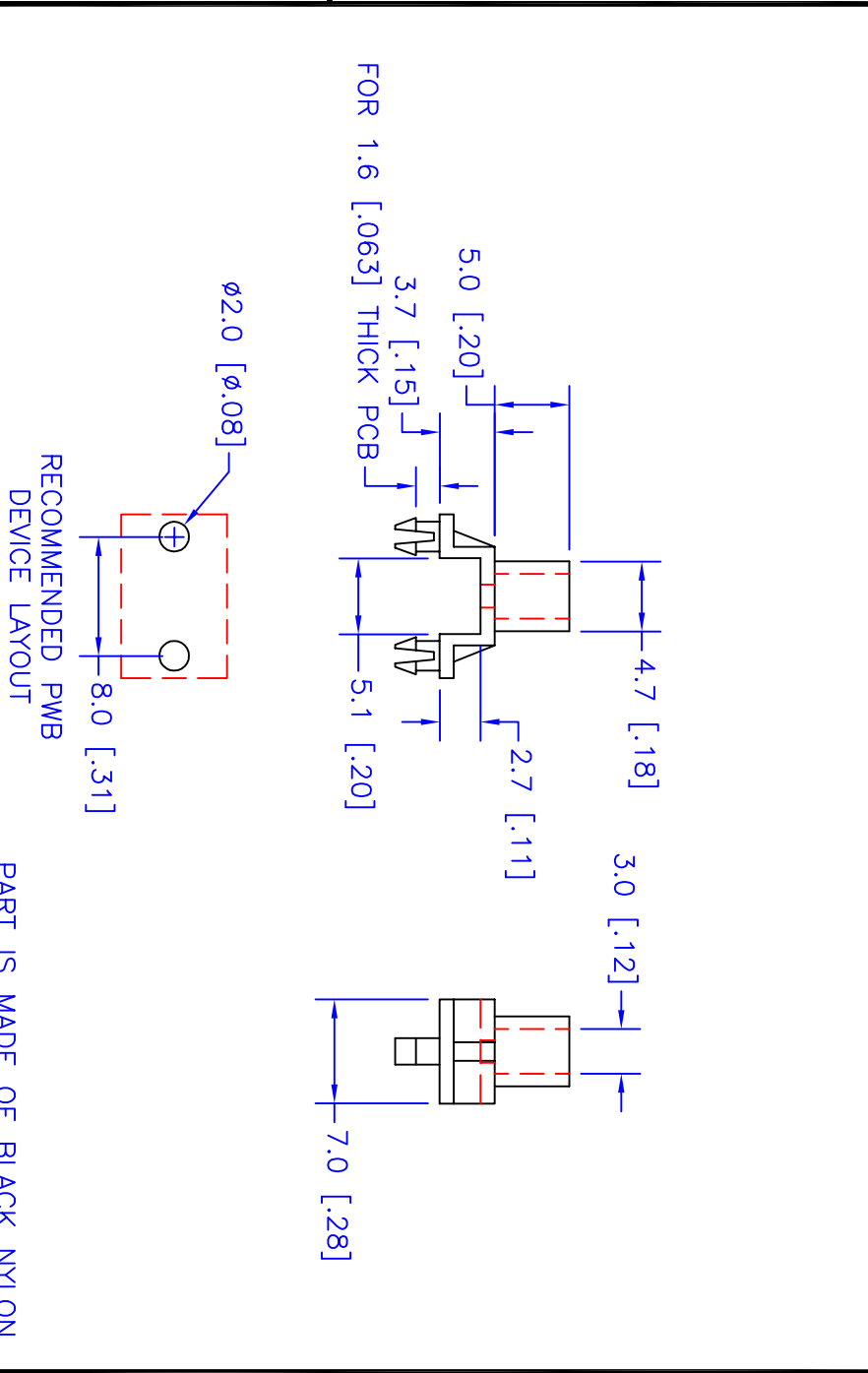
NOTES:

1. ROHS COMPLIANT
2. UL 94V-2 FLAMMABILITY RATING
3. -40°C TO 85°C OPERATING TEMPERATURE
4. SUITABLE FOR LIGHT PIPE WITH $\phi 3.0\text{mm}$ JACKET AND OPTICAL CORE NO GREATER THAN $\phi 1.5\text{mm}$
5. DO NOT INSTALL PRIOR TO SOLDERING
6. FOR BEST RESULTS USE ONLY NARROW VIEWING ANGLE NON-DIFFUSED LEDS WITH OUTPUT POWER GREATER THAN 100mcd
7. NOT RECOMMENDED FOR DATA COMMUNICATIONS



METRIC

REV		DESCRIPTION	ECO	DATE	DWN	APVD
B		REVISED STRIP LENGTH FROM 1.0 ± .25	0034	09/17/09	BB	KS



PART IS MADE OF BLACK NYLON.

UNLESS OTHERWISE SPECIFIED		PRODUCT	NAME	
DIMENSIONS MILLIMETERS [IN.]		LIGHT PIPE	INDUSTRIAL FIBER OPTICS	
TOLERANCES		MATERIAL NYLON 66	TEMPE, AZ 85281	
0 PLC: ±1	SURFACE 3/2	FINISH NONE	MOUNT, SURFACE MOUNT	
1 PLC: ±.25	TEXTURE: \checkmark	DRAWN BY B. BIDWELL	LED TO LIGHT PIPE	
2 PLC: ±.127		DATE 11/12/08	SIZE SCALE 2:1	PART NUMBER 51 0311
3 PLC: ±.025		CHECKED BY K. STOTZ	DO NOT SCALE DRAWING	REV B
4 PLC: ±.013		DATE 09/17/09		SHEET 1 OF 1
REMOVE BURRS AND SHARP EDGES FLATNESS .005 MM PER MM ALL DIMENSIONS AFTER FINISH				